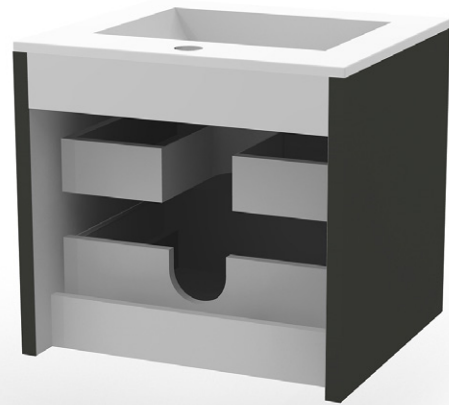


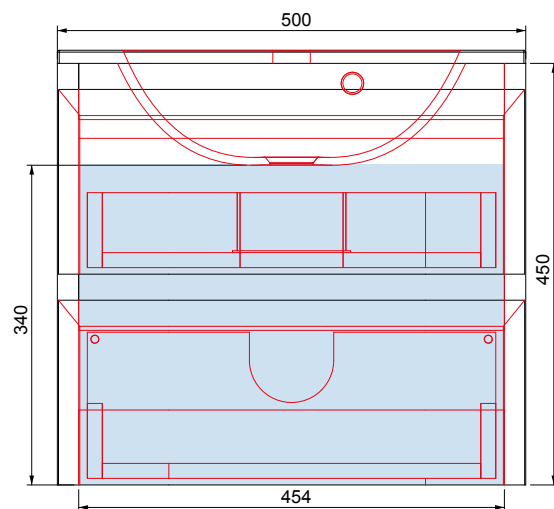
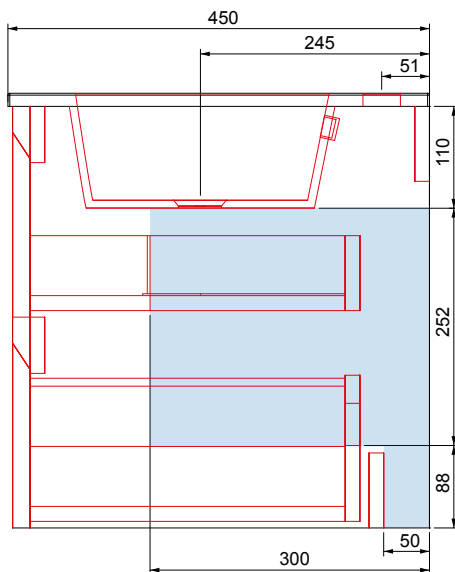
VERONA 500 VANITY UNIT



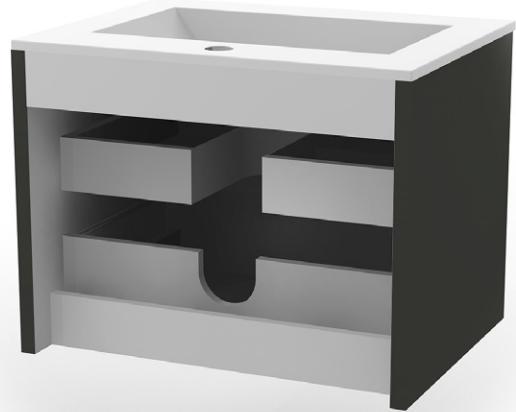
Product	VERONA 500 VANITY UNIT (21KG)
Unit Size	500w x 445d x 450h
CERAMIC Basin Code	9121 MONZA 500 BASIN (12KG) (1TH)
CERAMIC Basin Size	510w x 470d x 35h
CAST Basin Code	3185 VADA 500 BASIN (9KG) (1TH)
CAST Basin Code	3205 VADA 500 BASIN (9KG) (NTH)
CAST Basin Size	500w x 450d x 14h

FITTING ADVICE

- The shaded areas indicate the clear voids for the running of services.
- To aid installation, remove the drawers by fully extending them and then an upwards pull.
- All wall to carcass and wall to basin joints should be sealed with silicone.
- All dimensions are in mm



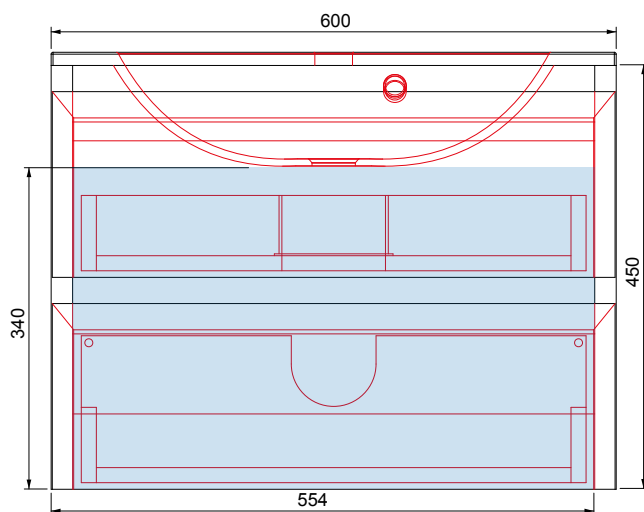
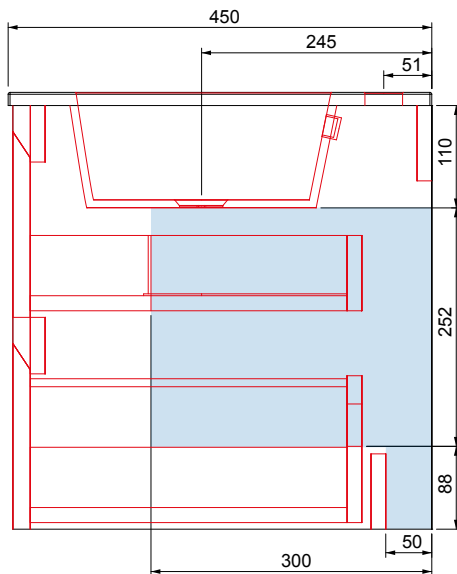
VERONA 600 VANITY UNIT



Product	VERONA 600 VANITY UNIT (23KG)
Unit Size	600w x 445d x 450h
CERAMIC Basin Code	9122 MONZA 600 BASIN (13KG) (1TH)
CERAMIC Basin Size	610w x 470d x 35h
CAST Basin Code	3186 VADA 600 BASIN (11KG) (1TH)
CAST Basin Code	3206 VADA 600 BASIN (11KG) (NTH)
CAST Basin Size	600w x 450d x 14h

FITTING ADVICE

- The shaded areas indicate the clear voids for the running of services.
- To aid installation, remove the drawers by fully extending them and then an upwards pull.
- All wall to carcass and wall to basin joints should be sealed with silicone.
- All dimensions are in mm



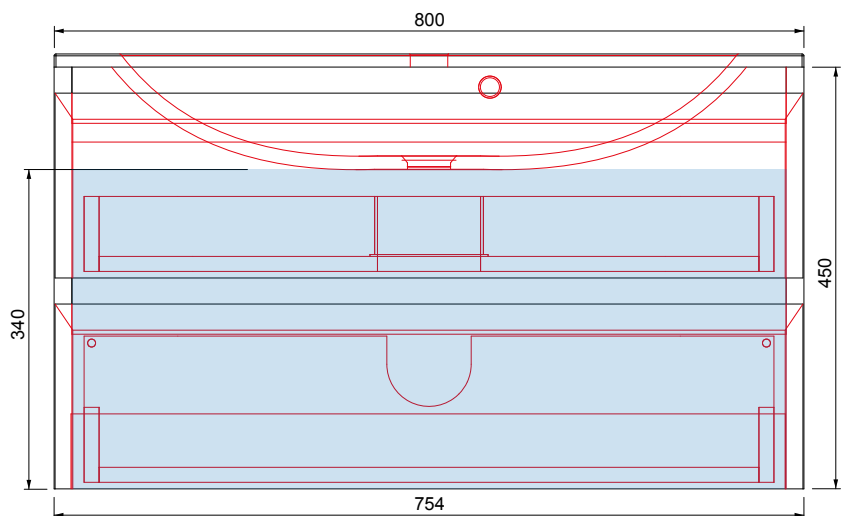
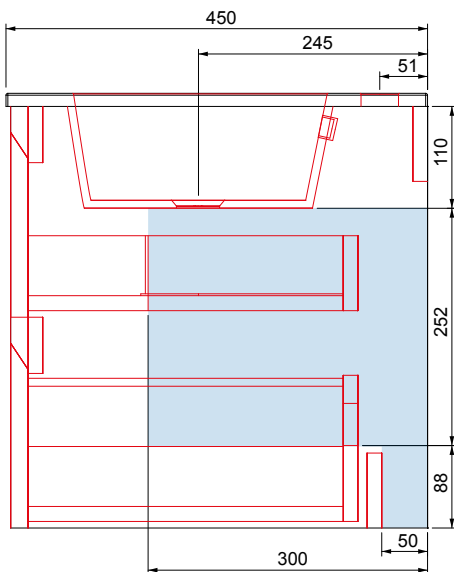
VERONA 800 VANITY UNIT



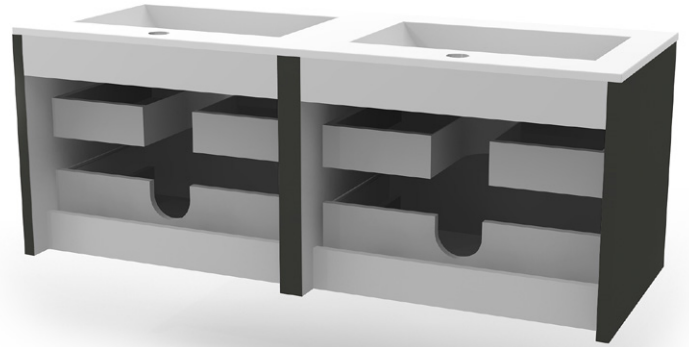
Product	VERONA 800 VANITY UNIT (27KG)
Unit Size	800w x 445d x 450h
CERAMIC Basin Code	9123 MONZA 800 BASIN (18KG) (1TH)
CERAMIC Basin Size	815w x 470d x 35h
CAST Basin Code	3188 VADA 800 BASIN (13KG) (1TH)
CAST Basin Code	3208 VADA 800 BASIN (13KG) (NTH)
CAST Basin Size	800w x 450d x 14h

FITTING ADVICE

- The shaded areas indicate the clear voids for the running of services.
- To aid installation, remove the drawers by fully extending them and then an upwards pull.
- All wall to carcass and wall to basin joints should be sealed with silicone.
- All dimensions are in mm



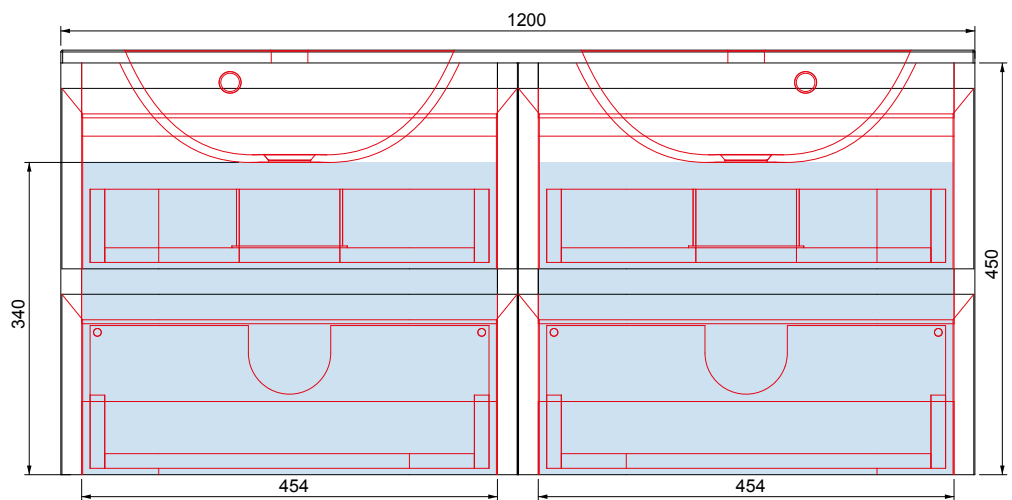
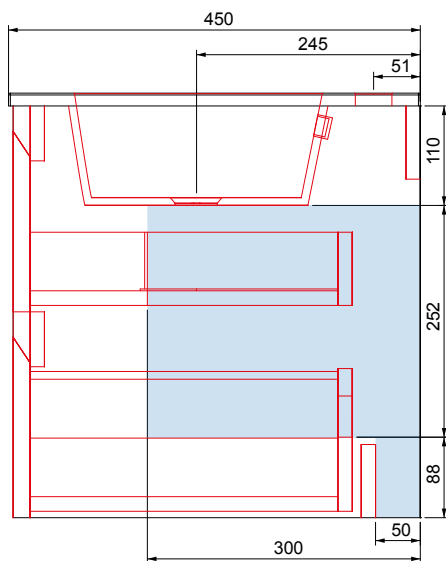
VERONA 1200 VANITY UNIT



Product	2X VERONA 600 VANITY UNIT (46KG)
Unit Size	2x 600w x 445d x 450h
CERAMIC Basin Code	9124 MONZA 1200 BASIN (27KG) (1TH)
CERAMIC Basin Size	1200w x 450d x 20h
CAST Basin Code	3190 VADA 1200 BASIN (22KG) (1TH)
CAST Basin Code	3210 VADA 1200 BASIN (22KG) (NTH)
CAST Basin Size	1215ww x 470d x 38h

FITTING ADVICE

- The shaded areas indicate the clear voids for the running of services.
- To aid installation, remove the drawers by fully extending them and then an upwards pull.
- All wall to carcass and wall to basin joints should be sealed with silicone.
- All dimensions are in mm

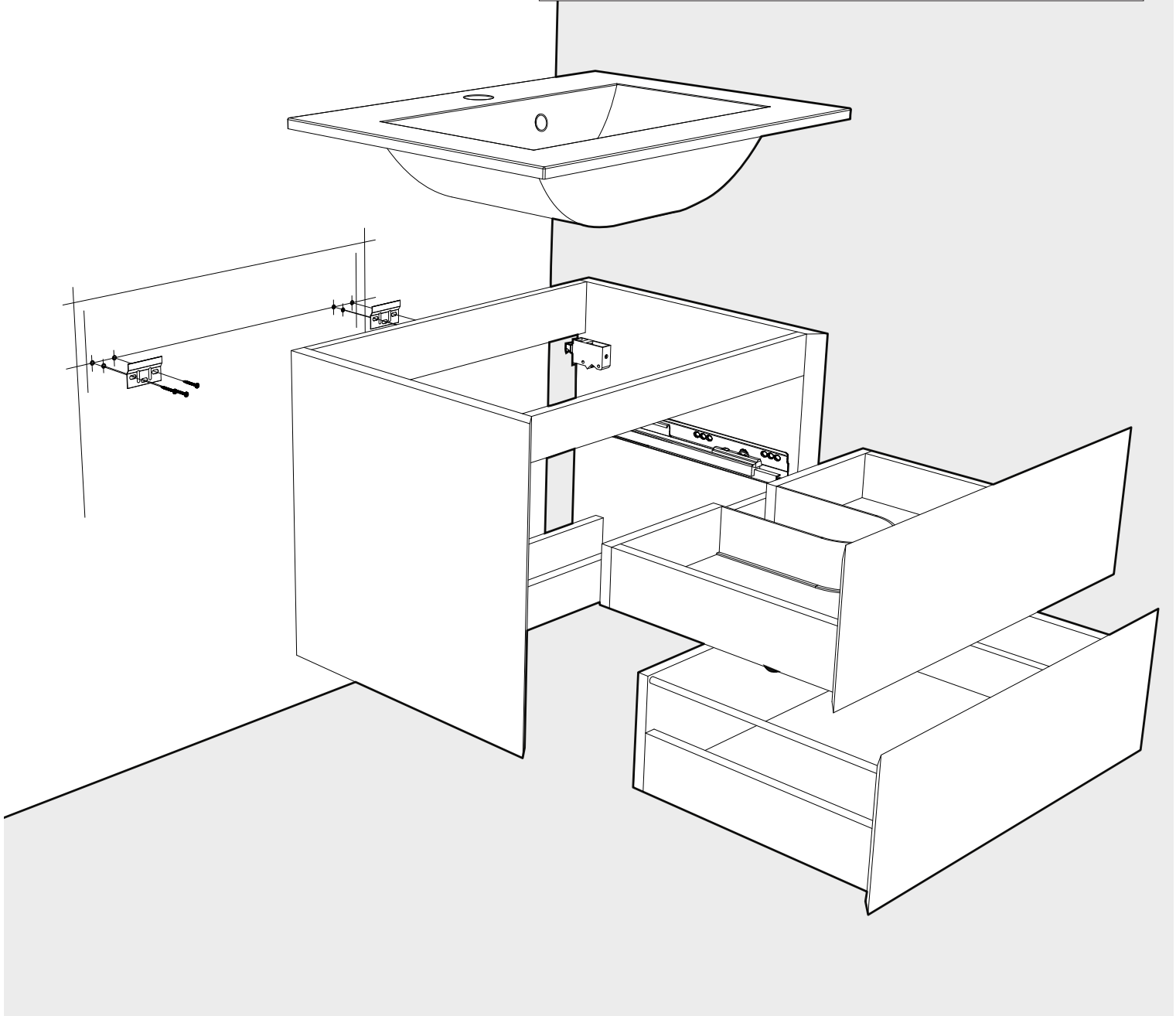
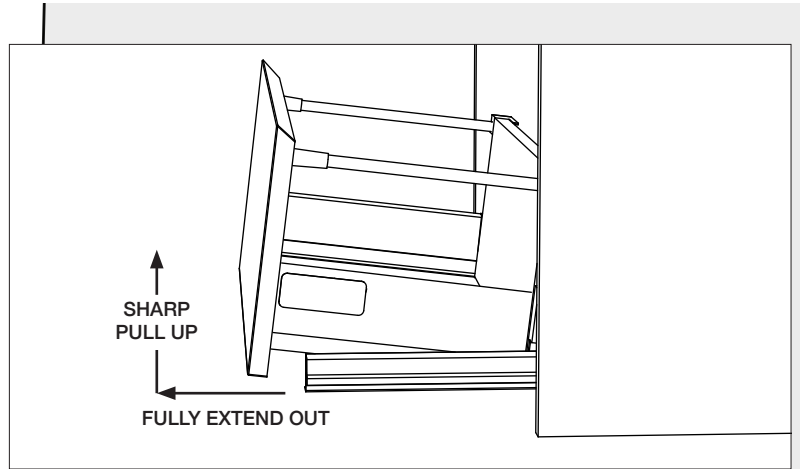


VERONA VANITY UNIT FITTING INSTRUCTIONS

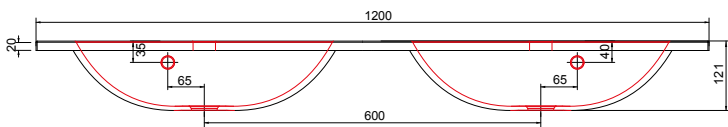
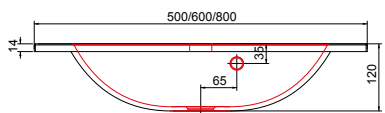
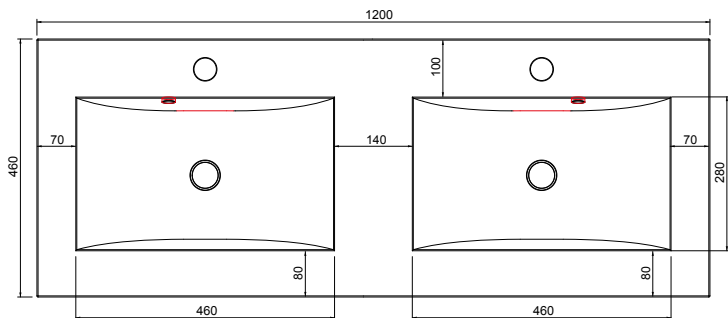
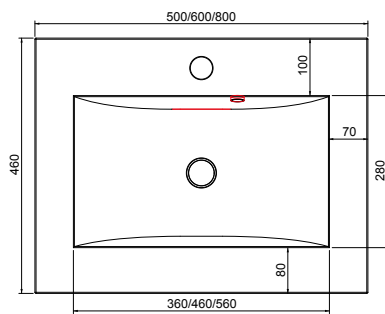
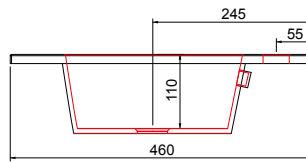
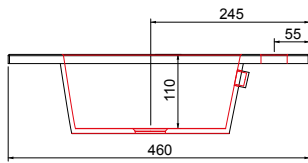
To aid installation remove drawers.

1. Affix wall brackets at desired height using suitable fixings for the substrate.
2. Remove drawers for ease of installation.
3. Hang unit onto fixings and level if necessary.
4. Silicone around the top of the unit and place basin.
5. Silicone around the rear of the unit at wall abutment.
6. Re-fit drawers.

To note: the 1200 Verona Vanity Unit set up uses 2x 600mm units with a double bowl on-top.



VADA 500, 600, 800 & 1200 BASIN TECHNICAL DATASHEET



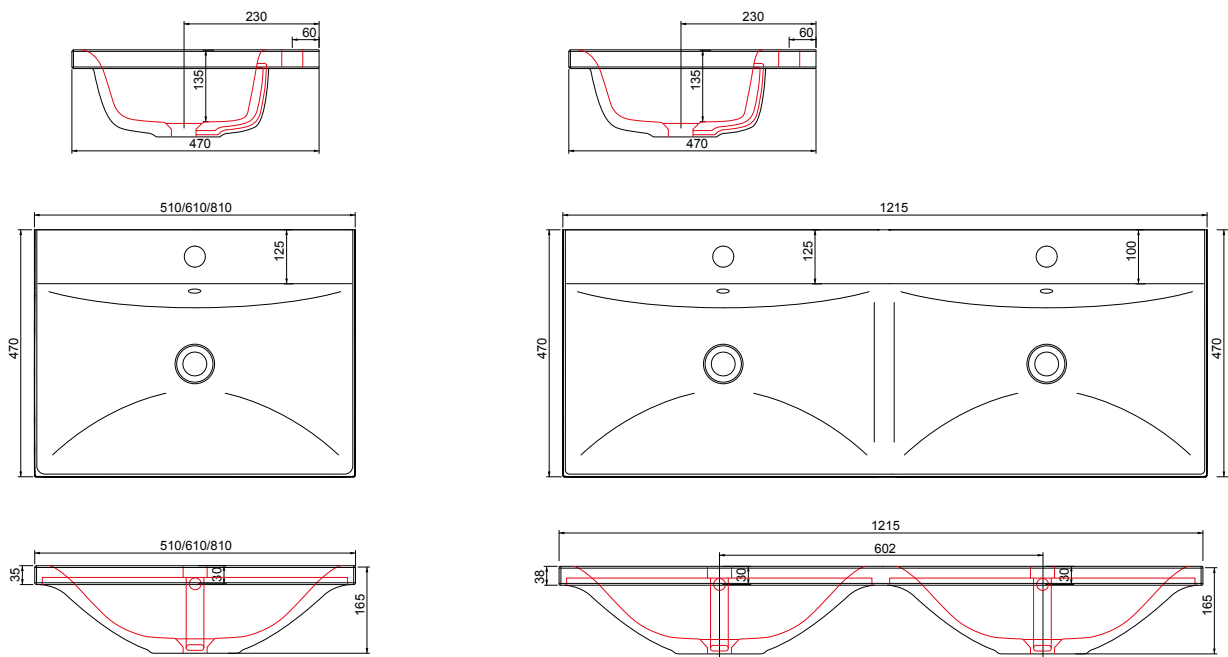
CAST MARBLE BASINS

The core ingredient of our Cast Marble basins is Dolomite Marble which is formed through volcanic action. The rock is milled and purified before being mixed with polymer resin formed into the required shape and then coated with a resin and quartz mixed gel coat to save its pigment and smooth finish.

The result is an extremely durable and easy to maintain product coupled with the benefit of constant sizing and smooth finishing that cannot be matched by traditional ceramics. Scratches are also repairable making this a more forgiving option. Cast basins have a sharp and ultra modern structured appeal to them.



MONZA 500, 600, 800 & 1200 BASIN TECHNICAL DATASHEET



CERAMIC BASINS

Ceramic Basins are made out of liquefied fireclay which is poured into a mould and allowed to set before being hand finished. A ground glass glaze would typically be sprayed over the basin before the final firing.

This long-lasting, durable material suits a simple and minimalistic bathroom suite as well as a traditional Victorian look. Stains are easily removed and ceramic is generally easy to clean to maintain a shiny appearance. The slight ripples occasionally seen along its surface are often mistaken for flaws these are actually part of the ceramic basins characteristics.

